



SWITCHGEAR



SAFETY @ HOME



Corporate Office:
POLYCAB INDIA LIMITED (formerly known as 'Polycab Wires Limited')
Polycab House, 771, Mogul Lane, Mahim (W), Mumbai - 400 016, Maharashtra (India).
Ph.: +91-22-2432 7070/04, 6735 1400, Email: enquiry@polycab.com, Toll Free No.: 1800 267 0008, www.polycab.com



SG / January / 2021

Pricelist - w.e.f 1st January 2021

www.polycab.com



MCBs &
Isolators



RCCB &
RCBO



MCB
Changeover
& ACCL



Distribution
Boards



FEATURES



Positive Contact Position Indication:

Red and Green flag indication provided below the knob gives indication of positive electrical ON/OFF contact status irrespective of mounting or knob position even from a distance.



Attractive Label Holder:

Polycab MCB is provided with transparent coloured label holder which is positioned on top of the knob for inserting labels for circuit identification and hence reducing maintenance down time.



Large & Dual Terminal:

Polycab MCBs can accommodate cables upto 35sq.mm cross section area thus making it suitable for copper as well as aluminium cables. Both cable and busbar can be terminated at both the end.



Bi-stable Din Clip Position:

Convenience of mounting on Din Rail is easy with Polycab MCB. And also, the MCBs can be easily changed from a bank of devices connected by a busbar without disturbing your existing wiring.



Air Flow Channel:

When two or more poles are placed adjacent to each other, the designed depression in the body cover forms a tunnel and serves as paths for air circulation thus hot air is expelled out faster resulting in reduced body temperature.



Ease of Clamping:

Input and output clamps on the MCB is provided with combi-head screws which have both the standard slot as well as double head which can be tightened by standard screwdriver as well as Philip screwdriver thus catering to tool availability.



Enhanced Safety:

Finger proof terminals are designed to eliminate accidental contact with live part complying with IP20 protection category. Install, operate and maintain our MCBs with confidence.



Energy Limiting Class-3:

Rapid arc quenching mechanism in our MCB ensures extinguishing of the arc within quarter cycle (3 to 5 milliseconds) thus minimizing the energy flow through the circuit. This ensures minimizing risk of fire and maximizing the life of your equipment.



Aesthetically Designed with Safety:

Aesthetically designed Flame Retardant body ensures safety in case of accidental fire.



High Quality Contact Tips:

Silver graphite anti-weld contact tips ensure higher life and maximum safety against contact welding thus enhancing safety and life of the device.



Energy Saver:

Power loss values upto 70% lesser than specified by IEC/IS; making Polyshield MCB one of the most energy efficient MCB.

INDEX

MCBs (Miniature Circuit Breaker)	01 - 03
Isolators	04
MCB Changeover	05
RCDs	06 - 07
MCB exploded view	08
Domestic Load Table	09
ACCL	10
POLYSHIELD Distribution Boards	11 - 18
DECOUR Distribution Boards	19 - 21

MCBs

MINIATURE CIRCUIT BREAKER (MCB)

(In accordance with IS / IEC 60898-1) 240V, 50Hz, 10kA Breaking Capacity



B - Curve SP MCB			C - Curve SP MCB	
Rating (In)	Item Code	MRP/ Unit ₹	Item Code	MRP/ Unit ₹
6 A	GMM101P001	194/-	GMM201P001	201/-
10 A	GMM101P002	194/-	GMM201P002	201/-
16 A	GMM101P003	194/-	GMM201P003	201/-
20 A	GMM101P004	194/-	GMM201P004	201/-
25 A	GMM101P005	194/-	GMM201P005	201/-
32 A	GMM101P006	194/-	GMM201P006	201/-
40 A	GMM101P007	370/-	GMM201P007	389/-
63 A	-	-	GMM201P008	470/-



C - Curve SPN MCB			C - Curve DP MCB	
Rating (In)	Item Code	MRP/ Unit ₹	Item Code	MRP/ Unit ₹
6 A	GMM201N001	660/-	GMM202P001	706/-
10 A	GMM201N002	660/-	GMM202P002	706/-
16 A	GMM201N003	660/-	GMM202P003	706/-
20 A	GMM201N004	660/-	GMM202P004	706/-
25 A	GMM201N005	660/-	GMM202P005	706/-
32 A	GMM201N006	660/-	GMM202P006	706/-
40 A	GMM201N007	913/-	GMM202P007	949/-
63 A	GMM201N008	1,010/-	GMM202P008	1,085/-



C - Curve TP MCB		
Rating (In)	Item Code	MRP/ Unit ₹
6 A	GMM203P001	1,112/-
10 A	GMM203P002	1,112/-
16 A	GMM203P003	1,112/-
20 A	GMM203P004	1,112/-
25 A	GMM203P005	1,112/-
32 A	GMM203P006	1,112/-
40 A	GMM203P007	1,521/-
63 A	GMM203P008	1,698/-



C - Curve TPN MCB			C - Curve FP MCB	
Rating (In)	Item Code	MRP/ Unit ₹	Item Code	MRP/ Unit ₹
6 A	GMM203N001	1,426/-	GMM204P001	1,499/-
10 A	GMM203N002	1,426/-	GMM204P002	1,499/-
16 A	GMM203N003	1,426/-	GMM204P003	1,499/-
20 A	GMM203N004	1,426/-	GMM204P004	1,499/-
25 A	GMM203N005	1,426/-	GMM204P005	1,499/-
32 A	GMM203N006	1,426/-	GMM204P006	1,499/-
40 A	GMM203N007	1,935/-	GMM204P007	1,947/-
63 A	GMM203N008	2,048/-	GMM204P008	2,148/-

Note: Packing (Primary / Secondary / Master): SP-1 / 12 / 108; DP-1 / 6 / 54; TP-1 / 4 / 36; FP-1 / 3 / 27.



MCBs

MINIATURE CIRCUIT BREAKER (MCB)

(In accordance with IS / IEC 60898-1) 240V, 50Hz, 10kA Breaking Capacity



C - Curve SP MCB			C - Curve DP MCB		
Rating (In)	Item Code	MRP/ Unit ₹	Item Code	MRP/ Unit ₹	
0.5A	GMM201P012	330/-	GMM202P012	995/-	
1A	GMM201P013	330/-	GMM202P013	995/-	
2A	GMM201P014	330/-	GMM202P014	995/-	
3A	GMM201P015	330/-	GMM202P015	995/-	
4A	GMM201P016	330/-	GMM202P016	995/-	
5A	GMM201P017	330/-	GMM202P017	995/-	



C - Curve TP MCB			C - Curve FP MCB		
Rating (In)	Item Code	MRP/ Unit ₹	Item Code	MRP/ Unit ₹	
0.5A	GMM203P012	1,395/-	GMM204P012	1,920/-	
1A	GMM203P013	1,395/-	GMM204P013	1,920/-	
2A	GMM203P014	1,395/-	GMM204P014	1,920/-	
3A	GMM203P015	1,395/-	GMM204P015	1,920/-	
4A	GMM203P016	1,395/-	GMM204P016	1,920/-	
5A	GMM203P017	1,395/-	GMM204P017	1,920/-	



D - Curve SP MCB			D - Curve DP MCB		
Rating (In)	Item Code	MRP/ Unit ₹	Item Code	MRP/ Unit ₹	
6 A	GMM301P001	380/-	GMM302P001	810/-	
10 A	GMM301P002	380/-	GMM302P002	810/-	
16 A	GMM301P003	380/-	GMM302P003	810/-	
20 A	GMM301P004	380/-	GMM302P004	810/-	
25 A	GMM301P005	380/-	GMM302P005	810/-	
32 A	GMM301P006	380/-	GMM302P006	810/-	
40 A	GMM301P007	580/-	GMM302P007	1,250/-	
63 A	GMM301P008	585/-	GMM302P008	1,300/-	



D - Curve TP MCB			D - Curve FP MCB		
Rating (In)	Item Code	MRP/ Unit ₹	Item Code	MRP/ Unit ₹	
6 A	GMM303P001	1,310/-	GMM304P001	1,700/-	
10 A	GMM303P002	1,310/-	GMM304P002	1,700/-	
16 A	GMM303P003	1,310/-	GMM304P003	1,700/-	
20 A	GMM303P004	1,310/-	GMM304P004	1,700/-	
25 A	GMM303P005	1,310/-	GMM304P005	1,700/-	
32 A	GMM303P006	1,310/-	GMM304P006	1,700/-	
40 A	GMM303P007	1,915/-	GMM304P007	2,400/-	
63 A	GMM303P008	1,950/-	GMM304P008	2,450/-	

MCBs

MINIATURE CIRCUIT BREAKER (MCB) for DC Installations

(In accordance with IEC 60947-2) 250Vdc per pole, 6kA Breaking Capacity



SP MCB		
Rating (In)	Item Code	MRP/ Unit ₹
0.5A	GMM401P012	555/-
1A	GMM401P013	555/-
2A	GMM401P014	555/-
3A	GMM401P015	555/-
4A	GMM401P016	555/-
5A	GMM401P017	555/-
6A	GMM401P001	460/-
10A	GMM401P002	460/-
16A	GMM401P003	460/-
20A	GMM401P004	460/-
25A	GMM401P005	460/-
32A	GMM401P006	460/-
40A	GMM401P007	610/-
50A	GMM401P018	610/-
63A	GMM401P008	610/-

MINIATURE CIRCUIT BREAKER (MCB) for DC Installations

(In accordance with IEC 60947-2) 250Vdc per pole, 6kA Breaking Capacity



DP MCB			FP MCB	
Rating (In)	Item Code	MRP/ Unit ₹	Item Code	MRP/ Unit ₹
0.5A	GMM402P012	1,110/-	GMM404P012	2,210/-
1A	GMM402P013	1,110/-	GMM404P013	2,210/-
2A	GMM402P014	1,110/-	GMM404P014	2,210/-
3A	GMM402P015	1,110/-	GMM404P015	2,210/-
4A	GMM402P016	1,110/-	GMM404P016	2,210/-
5A	GMM402P017	1,110/-	GMM404P017	2,210/-
6A	GMM402P001	975/-	GMM404P001	1,945/-
10A	GMM402P002	975/-	GMM404P002	1,945/-
16A	GMM402P003	975/-	GMM404P003	1,945/-
20A	GMM402P004	975/-	GMM404P004	1,945/-
25A	GMM402P005	975/-	GMM404P005	1,945/-
32A	GMM402P006	975/-	GMM404P006	1,945/-
40A	GMM402P007	1,300/-	GMM404P007	2,600/-
50A	GMM402P018	1,300/-	GMM404P018	2,600/-
63A	GMM402P008	1,300/-	GMM404P008	2,600/-



Note: Packing (Primary / Secondary / Master): SP-1 / 12 / 108; DP-1 / 6 / 54; TP-1 / 4 / 36; FP-1 / 3 / 27.

Note: Packing (Primary / Secondary / Master): SP-1 / 12 / 108; DP-1 / 6 / 54; FP-1 / 3 / 27.



ISOLATORS

ISOLATORS

(In accordance with IS / IEC 60947-3) 240 V, 50 Hz



SP		
Rating (In)	Item Code	MRP/ Unit ₹
40A	GMS501P001	329/-
63A	GMS501P002	382/-



DP		
Rating (In)	Item Code	MRP/ Unit ₹
40A	GMS502P001	481/-
63A	GMS502P002	606/-
80A	GMS502P003	798/-
100A	GMS502P004	806/-
125A	GMS502P005	816/-



TP			FP	
Rating (In)	Item Code	MRP/ Unit ₹	Item Code	MRP/ Unit ₹
40A	GMS503P001	720/-	GMS504P001	965/-
63A	GMS503P002	886/-	GMS504P002	1,114/-
80A	GMS503P003	1,159/-	GMS504P003	1,395/-
100A	GMS503P004	1,198/-	GMS504P004	1,473/-
125A	GMS503P005	1,209/-	GMS504P005	1,575/-

MCB CHANGEOVER



MCB Changeover Switch

(In accordance with IS/IEC 60947-3)



DP		
Rating (In)	Item Code	MRP/ Unit ₹
25A	GMC102P001	850/-
40A	GMC102P002	1,100/-
63A	GMC102P003	1,400/-



FP		
Rating (In)	Item Code	MRP/ Unit ₹
25A	GMC104P001	1,700/-
40A	GMC104P002	2,200/-
63A	GMC104P003	2,800/-

Note: Packing (Primary / Secondary / Master): DP-1 / 6 / 54; FP-1 / 3 / 27.

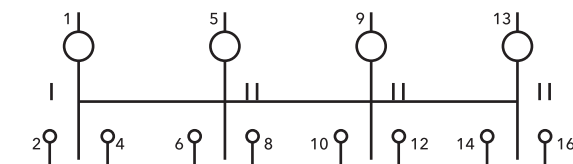
Connection Diagram

Two Pole



"I" - Incoming terminals (main supply 2 & 6)
 "II" - Incoming terminals (standby supply 4 & 8)
 Outgoing terminals (to load 1 & 5)
 Mid position of Knob is OFF position

Four Pole



"I" - Incoming terminals (main supply 2, 6, 10 & 14)
 "II" - Incoming terminals (standby supply 4, 8, 12 & 16)
 Outgoing terminals (to load 1, 5, 9 & 13)
 Mid position of Knob is OFF position

Note: Packing (Primary / Secondary / Master): SP-1 / 12 / 108; DP-1 / 6 / 54; TP-1 / 4 / 36; FP-1 / 3 / 27.

RESIDUAL CURRENT CIRCUIT BREAKER (RCCB)



DP			
Rating (In)	Sensitivity	Item Code	MRP/ Unit ₹
25A	30mA	GMR602P003	2,427/-
25A	100mA	GMR602P009	2,478/-
25A	300mA	GMR602P015	2,478/-
40A	30mA	GMR602P005	2,675/-
40A	100mA	GMR602P011	2,697/-
40A	300mA	GMR602P017	2,697/-
63A	30mA	GMR602P006	3,394/-
63A	100mA	GMR602P012	3,424/-
63A	300mA	GMR602P018	3,424/-



FP			
Rating (In)	Sensitivity	Item Code	MRP/ Unit ₹
25A	30mA	GMR604P003	3,116/-
25A	100mA	GMR604P009	3,170/-
25A	300mA	GMR604P015	3,170/-
40A	30mA	GMR604P005	3,185/-
40A	100mA	GMR604P011	3,205/-
40A	300mA	GMR604P017	3,205/-
63A	30mA	GMR604P006	3,600/-
63A	100mA	GMR604P012	3,653/-
63A	300mA	GMR604P018	3,653/-

Note: Packing (Primary / Secondary / Master): DP-1 / 6 / 36 ; FP - 1 / 3 / 18.

RESIDUAL CURRENT CIRCUIT BREAKER WITH OVER CURRENT PROTECTION (RCBO)



DP			
Rating (In)	Sensitivity	Item Code	MRP/ Unit ₹
6A	30mA	GMB101N001	3,275/-
6A	100mA	GMB201N001	3,400/-
6A	300mA	GMB301N001	3,400/-
10A	30mA	GMB101N002	3,275/-
10A	100mA	GMB201N002	3,400/-
10A	300mA	GMB301N002	3,400/-
16A	30mA	GMB101N003	3,275/-
16A	100mA	GMB201N003	3,400/-
16A	300mA	GMB301N003	3,400/-
20A	30mA	GMB101N004	3,275/-
20A	100mA	GMB201N004	3,400/-
20A	300mA	GMB301N004	3,400/-
25A	30mA	GMB101N005	3,275/-
25A	100mA	GMB201N005	3,400/-
25A	300mA	GMB301N005	3,400/-
32A	30mA	GMB101N006	3,275/-
32A	100mA	GMB201N006	3,400/-

32A	300mA	GMB301N006	3,400/-
40A	30mA	GMB101N007	3,515/-
40A	100mA	GMB201N007	3,610/-
40A	300mA	GMB301N007	3,610/-
63A	30mA	GMB101N008	4,225/-
63A	100mA	GMB201N008	4,310/-
63A	300mA	GMB301N008	4,310/-

Note: Packing (Primary / Secondary / Master): DP-1 / NA / 12.

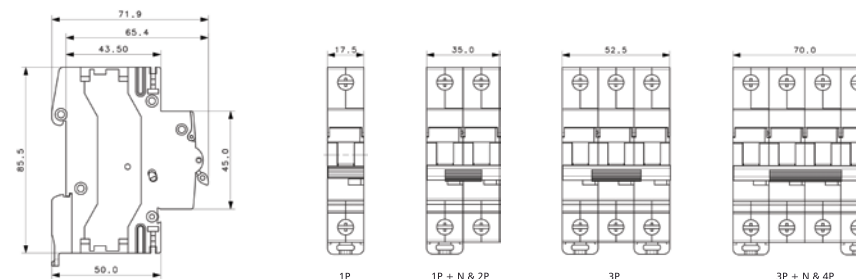
RESIDUAL CURRENT CIRCUIT BREAKER WITH OVER CURRENT PROTECTION (RCBO)



FP			
Rating (In)	Sensitivity	Item Code	MRP/ Unit ₹
6A	30mA	GMB103N001	4,280/-
6A	100mA	GMB203N001	3,890/-
6A	300mA	GMB303N001	3,890/-
10A	30mA	GMB103N002	4,280/-
10A	100mA	GMB203N002	3,890/-
10A	300mA	GMB303N002	3,890/-
16A	30mA	GMB103N003	4,280/-
16A	100mA	GMB203N003	3,890/-
16A	300mA	GMB303N003	3,890/-
20A	30mA	GMB103N004	4,280/-
20A	100mA	GMB203N004	3,890/-
20A	300mA	GMB303N004	3,890/-
25A	30mA	GMB103N005	4,280/-
25A	100mA	GMB203N005	3,890/-
25A	300mA	GMB303N005	3,890/-
32A	30mA	GMB103N006	4,280/-
32A	100mA	GMB203N006	3,890/-
32A	300mA	GMB303N006	3,890/-
40A	30mA	GMB103N007	4,330/-
40A	100mA	GMB203N007	4,110/-
40A	300mA	GMB303N007	4,110/-
63A	30mA	GMB103N008	4,660/-
63A	100mA	GMB203N008	4,760/-
63A	300mA	GMB303N008	4,760/-

Note: Packing (Primary / Secondary / Master): 1 / NA / 8.

DIMENSION DETAILS OF MCB's / ISOLATORS



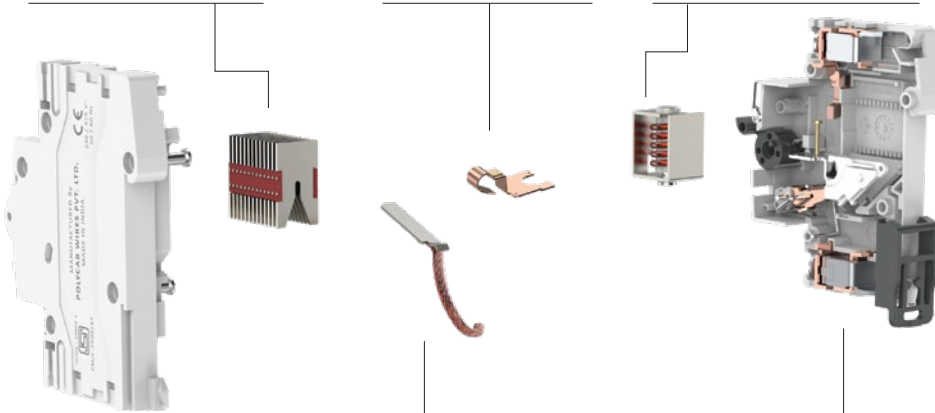


MCB EXPLODED VIEW

13 plate arc chute with Quick & efficient Arc Quenching: Improves the electrical and mechanical life

Anti weld Highly Durable Contact Tip: Ensures a better life span.

Fast trip mechanism confirms current limiting class 3: Increases System reliability



High-Grade FR Materials With Airflow Channel: For Safety and Durability

Bimetallic Strip provides: Smart protection against overload

Bi connect DIN Clip & Bi connect terminals: Flexible and Easy to Install

DOMESTIC LOAD TABLE



TYPICAL DOMESTIC LOAD			
Sr. No.	Items	Load / Wattage	MCB Rating
1	Fan	60W	*
2	Lamp, Tubelight	40W	*
3	Room Heater	200W	1 A
4	Water Heater		
	8 ltrs	1200-2000W	10 A
	15 ltrs	3000-4000W	20 A
	60 ltrs	4000-6000W	32 A
5	Immersion Heater	1000W	6 A
6	Hot Plate-single	1000W	6 A
7	Iron-Non-automatic	500W	3 A
	Automatic	1000W	6 A
8	Mixer / Juicer	300W	2 A
9	TV / VCR / VCP	200W	1 A
10	Music system	200W	1 A
11	Refrigerator		
	165 ltrs	400W	3 A
	285 ltrs	600W	4 A
	350 ltrs	750W	6 A
12	Toaster	500W	3 A
13	Vaccum Cleaner	400W	3 A
14	Washing Machine		
	without heater	300-1300W	10 A
	with heater	5000+6300W	32 A
15	Water Cooler	700W	6 A
16	Desert Cooler	300W	2 A
17	Oven	750W	6 A
18	Electric Kettle	1500W	7.5 A
19	Air Conditioner		
	1 ton	1000W	10 A
	1.5 ton	1500W	16 A
	2 ton	2000W	16 A
20	Hair Dryer	1000W	7.5 A
21	Microwave	800W	6 A

Formula for Calculation

Rating of MCB : For Single Phase = $\frac{\text{Total Load in Watts}}{220\text{Volt}}$ | For Three Phase = $\frac{\text{Total Load in Watts}}{\sqrt{3} \times 415\text{Volt}}$

- The given data is only for guidance and may vary for different manufacturer.





ACCL

DISTRIBUTION BOARDS



AUTOMATIC CHANGEOVER WITH CURRENT LIMITER (ACCL)
(In accordance with IEC 60947-3, IEC60947-6) 240V, 50Hz &
Conditional short circuit current 5kA



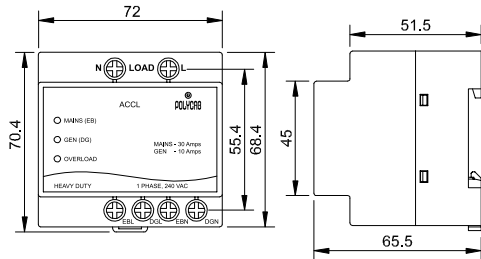
SINGLE PHASE ACCL			
ACCL Genset Current Rating	ACCL Main Current	Item Code	MRP/ Unit ₹
0.5A	30A	GMC30SP005	2,640/-
1A	30A	GMC30SP010	2,640/-
1.5A	30A	GMC30SP015	2,640/-
2.5A	30A	GMC30SP025	2,640/-
3A	30A	GMC30SP030	2,640/-
4A	30A	GMC30SP040	2,640/-
5A	30A	GMC30SP050	2,640/-
6A	30A	GMC30SP060	2,640/-
8A	30A	GMC30SP080	2,640/-
9A	30A	GMC30SP090	2,640/-
10A	30A	GMC30SP100	2,640/-
15A	30A	GMC30SP150	2,640/-
20A	30A	GMC30SP200	2,640/-
25A	30A	GMC30SP250	2,640/-
30A	30A	GMC30SP300	2,640/-

SALIENT FEATURES

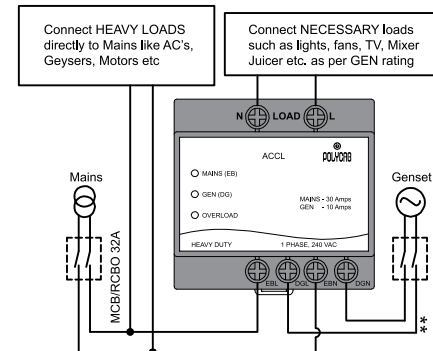
- As per IS 13032 / 8623
- Aesthetically superior to suit the interiors.
- Suitable for flush and surface mounting.
- Ready to use DBs - provided with 100A phase bus-bar, Neutral bar, Cement spill protector, Earth bar and Interconnecting wires as standard accessories.
- Provided with removable top and bottom gland plates with adequate knockouts for easy wiring.
- DBs made up of CRCA sheet steel & powder coated with RAL 9003 fine white shade.

Note: Packing (Primary / Secondary / Master): 1 / NA / 18.

Overall Mechanical Dimensions



Recommended Load Connections



SALIENT FEATURES

- **Safe** : IP20 protection and environment friendly FR body material
- **Technical Superiority** : Unique Contactor based technology, break before make changeover contact with higher air gap
- **Convenient** : Auto Reset Facility
- **Reliable** : Conditional short circuit current capacity 5kA
- **Low Power Consumption** : Power consumed is less than 0.2VA during Mains supply & 15VA during generator operation
- **Long Life** : 25,000 Electrical Operations
- **Heavy Duty** : Utilisation category AC22A (IEC 60947-3) & AC32A (IEC 60947-6)
- **Compact** : Can be fitted with Polycarb MCB range DIN Rail mounted
- **Alert** : Overload indication on Genset side by LED and BEEP



DISTRIBUTION BOARDS

MCB ENCLOSURE

(In accordance with IS 13032, IS 8623, IEC / BSEN 61439-3)
(RAL - 9003 fine white texture)



In sheet steel, suitable for 2P/4P devices

No. of Ways	No. of Poles	Item Code	MRP/ Unit ₹
2W	DP	GPDSN10002	398/-
4W	FP	GPDTN10002	445/-

PLUG & SOCKETS DISTRIBUTION BOARD

(In accordance with IS 13032, IS 8623, IEC / BSEN 61439-3)
(RAL - 9003 fine white texture)



Plug & Socket Board, with Metal Plug & Socket,
1P+N/3P & Earth

Rating	No. of Poles	Item Code	MRP/ Unit ₹
20A	SP	GPDP510006	853/-
20A	DP	GPDP510004	1,195/-
20A	TP	GPDP510005	1,590/-
30A	TP	GPDP520003	2,630/-

SPN DISTRIBUTION BOARD

(In accordance with IS 13032, IS 8623, IEC / BSEN 61439-3)
(RAL - 9003 fine white texture, IP 30 - Single Door DB)



SPN Distribution Board (Suitable for DP
Incoming and SP Outgoing)

No. of Ways	Item Code Single Door	MRP/ Unit ₹
4W	GPDSN10016	930/-
6W	GPDSN10017	1,030/-
8W	GPDSN10018	1,115/-
12W	GPDSN10019	1,510/-
16W	GPDSN10020	1,865/-

TPN DISTRIBUTION BOARD

(In accordance with IS 13032, IS 8623, IEC / BSEN 61439-3)
(RAL - 9003 fine white texture, IP 30 - Single Door DB)



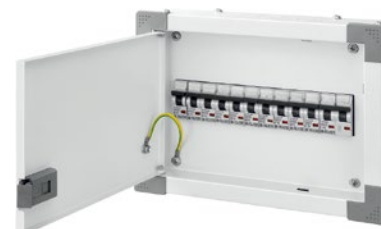
TP&N Distribution Board (Suitable for FP
Incoming and SP Outgoing)

No. of Ways	I/C + O/G Ways	Item Code Single Door	MRP/ Unit ₹
4W	4 + 12	GPDTN10031	2,690/-
4W	8 + 12	GPDTN10032	2,730/-
6W	8 + 18	GPDTN10033	3,270/-
8W	8 + 24	GPDTN10034	3,765/-
12W	8 + 36	GPDTN10030	4,895/-

DISTRIBUTION BOARDS

SPN DISTRIBUTION BOARD

(RAL - 9003 fine white texture, IP 42 - Double Door DB)



SPN Distribution Board (Suitable for DP
Incoming and SP Outgoing)

No. of Ways	Item Code Double Door	MRP/ Unit ₹
4W	GPDSN20016	1,385/-
6W	GPDSN20012	1,645/-
8W	GPDSN20017	1,810/-
12W	GPDSN20018	2,245/-
16W	GPDSN20019	2,960/-

TPN DISTRIBUTION BOARD

(RAL - 9003 fine white texture, IP 42 - Double Door DB)

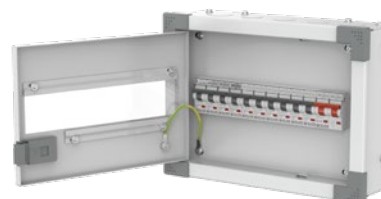


TPN Distribution Board (Suitable for FP Incoming
and SP Outgoing)

No. of Ways	I/C + O/G Ways	Item Code Double Door	MRP/ Unit ₹
4W	4 + 12	GPDTN20064	3,575/-
4W	8 + 12	GPDTN20065	3,650/-
6W	8 + 18	GPDTN20066	4,445/-
8W	8 + 24	GPDTN20067	5,725/-
12W	8 + 36	GPDTN20068	8,455/-

SPN ACRYLIC DISTRIBUTION BOARD

(RAL - 9003 fine white texture, IP 42 - Double Door DB)



SPN Distribution Board (Suitable for DP
Incoming and SP Outgoing)

No. of Ways	Item Code Double Door	MRP/ Unit ₹
4W	GPDSN30006	1,610/-
6W	GPDSN30007	1,945/-
8W	GPDSN30008	2,170/-
12W	GPDSN30009	2,690/-
16W	GPDSN30010	3,595/-

TPN ACRYLIC DISTRIBUTION BOARD

(RAL - 9003 fine white texture, IP 42 - Double Door DB)



TPN Distribution Board (Suitable for FP Incoming
and SP Outgoing)

No. of Ways	I/C + O/G Ways	Item Code Single Door	MRP/ Unit ₹
4W	4 + 12	GPDTN30006	4,420/-
4W	8 + 12	GPDTN30007	4,755/-
6W	8 + 18	GPDTN30008	5,975/-
8W	8 + 24	GPDTN30009	7,750/-
12W	8 + 36	GPDTN30010	9,500/-

Note: Packing (Primary / Master): SPN (4 Way / 6 Way / 8 Way) - 1 / 6, SPN (12 Way / 16 Way) - 1 / 4.

Note: Packing (Primary / Master): SPN (4 Way / 6 Way / 8 Way) - 1 / 6, SPN (12 Way / 16 Way) - 1 / 4.

DISTRIBUTION BOARDS

TPN VERTICAL DISTRIBUTION BOARD

(In accordance with IS 13032, IS 8623, IEC / BSEN 61439-3)
RAL - 9003 fine white texture, IP 42 - Double Door DB



TPN Vertical Distribution Board (Suitable for FP Incoming and SP / TP Outgoing)			
No. of Ways	I/C + O/G Ways	Item Code Double Door	MRP/ Unit ₹
4W	8 + 12	GPDTN20069	9,580/-
6W	8 + 18	GPDTN20070	10,840/-
8W	8 + 24	GPDTN20071	12,095/-
12W	8 + 36	GPDTN20072	15,690/-

TPN PPI HORIZONTAL DISTRIBUTION BOARD

(In accordance with IS 13032, IS 8623, IEC / BSEN 61439-3)
RAL - 9003 fine white texture, IP 42 - Double Door DB



TP&N Distribution Board, Per Phase Isolated Neutral (Suitable for FP Incoming and SP Outgoing)			
No. of Ways	I/C + O/G Ways	Item Code Double Door	MRP/ Unit ₹
4W	8 + 6 + 12	GPDTN20077	5,435/-
6W	8 + 6 + 18	GPDTN20078	7,075/-
8W	8 + 6 + 24	GPDTN20079	8,445/-
12W	8 + 6 + 36	GPDTN20080	10,100/-

TPN PPI VERTICAL DISTRIBUTION BOARD

(In accordance with IS 13032, IS 8623, IEC / BSEN 61439-3)
RAL - 9003 fine white texture, IP 42 - Double Door DB



TP&N Distribution Board, Per Phase Isolated Neutral (Suitable for FP Incoming and SP Outgoing)			
No. of Ways	I/C + O/G Ways	Item Code Double Door	MRP/ Unit ₹
4W	8 + 6 + 12	GPDTN20046	5,250/-
6W	8 + 6 + 18	GPDTN20047	7,620/-
8W	8 + 6 + 24	GPDTN20048	9,940/-
12W	8 + 6 + 36	GPDTN20049	12,335/-

FLEXY TIER DISTRIBUTION BOARD

Flexibility of choosing Incomer & Outgoing as per your requirement, RAL - 9003 fine white texture, IP 42 - Double Door DB



Distribution Board, With Total Installation Flexibility			
No. of Ways	No. of Modules	Item Code Double Door	MRP/ Unit ₹
2 Row of 12 Mod	24	GPDTN20052	3,640/-
3 Row of 12 Mod	36	GPDTN20053	4,780/-
4 Row of 10 Mod	40	GPDTN20054	5,980/-
4 Row of 14 Mod	56	GPDTN20055	6,730/-

DISTRIBUTION BOARDS

TPN PHASE SELECTOR (VERTICAL)

(In accordance with IS 13032, IS 8623, IEC / BSEN 61439-3)
RAL - 9003 fine white texture, IP 42 - Double Door DB



Suitable for 8 Way Incomer and SP Outgoing with Rotary Switches (Manual Operated)			
Selector Rating	No. of Ways	Item Code Double Door	MRP/ Unit ₹
40A	4 Way	GPDTN30021	11,035/-
63A	4 Way	GPDTN30022	13,025/-
40A	6 Way	GPDTN30023	11,165/-
63A	6 Way	GPDTN30024	13,160/-
40A	8 Way	GPDTN30025	12,360/-
63A	8 Way	GPDTN30026	13,825/-

TPN DISTRIBUTION BOARD, 7 SEGMENT

(In accordance with IS 13032, IS 8623, IEC / BSEN 61439-3)
RAL - 9003 fine white texture, IP 42 - Double Door DB



Suitable for FP Incoming and SP Outgoing with Provision of DP RCCB Protection			
No. of Ways	I/C + O/G Ways	Item Code Double Door	MRP/ Unit ₹
4W	8 + 6 + 12	GPDTN20073	8,570/-
6W	8 + 6 + 18	GPDTN20074	10,230/-
8W	8 + 6 + 24	GPDTN20075	13,120/-
12W	8 + 6 + 36	GPDTN20076	14,395/-

TPN DISTRIBUTION BOARD, 8 SEGMENT

(In accordance with IS 13032, IS 8623, IEC / BSEN 61439-3)
RAL - 9003 fine white texture, IP 42 - Double Door DB



Suitable for FP Incoming and SP Outgoing with Provision of DP RCCB Protection		
No. of Ways	Item Code Double Door	MRP/ Unit ₹
4W	GPDTN20083	7,695/-
6W	GPDTN20084	9,360/-
8W	GPDTN20085	12,245/-
12W	GPDTN20086	13,530/-

TV TEL DISTRIBUTION BOARD

(In accordance with IS 13032, IS 8623, IEC / BSEN 61439-3)
RAL - 9003 fine white texture, IP 42 - Double Door DB

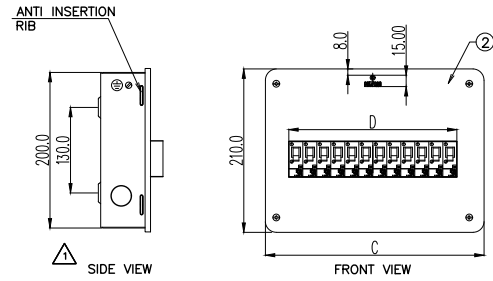


SPN Distribution Board (Suitable for DP Incoming and SP Outgoing)			TPN Distribution Board (Suitable for FP Incoming and SP Outgoing)		
No. of Ways	Item Code Double Door	MRP/ Unit ₹	No. of Ways	Item Code Double Door	MRP/ Unit ₹
6W	GPDSN40001	3,950/-	4W	GPDTN40001	7,280/-
8W	GPDSN40002	4,365/-	6W	GPDTN40002	8,320/-
12W	GPDSN40003	4,990/-	8W	GPDTN40003	9,045/-
16W	GPDSN40004	5,510/-	12W	GPDTN40004	9,880/-

Note: Provision for TV Splitter and Telephone Crone (Without TV Splitter & Telephone Crone).

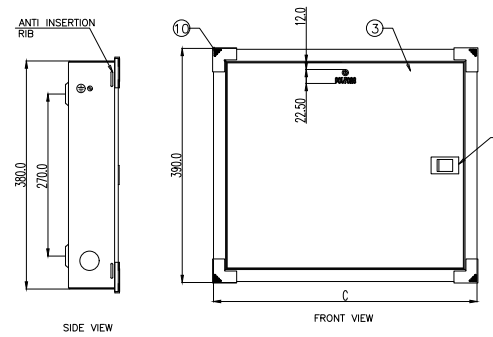
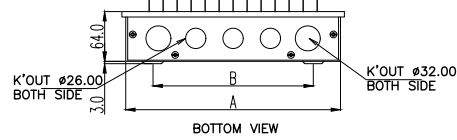


GA DRAWING OF SPN & TPN DB



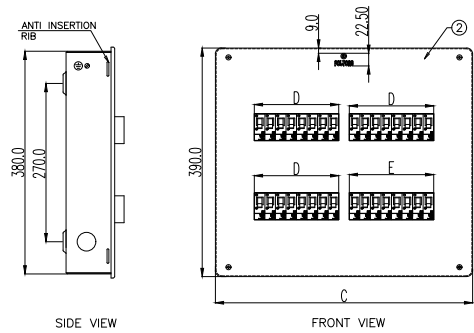
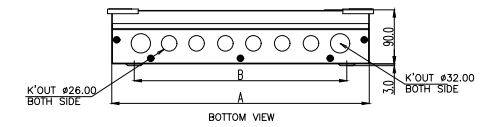
GA DRAWINGS FOR -
SPN DB: IP - 30 (Single Door)

WAY	A	B	C	D
04	132	62	142	72
06	168	98	178	108
08	204	134	214	144
12	276	206	286	216
16	348	278	358	288



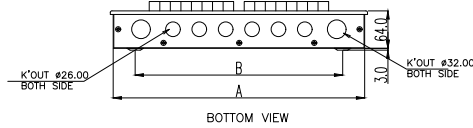
GA DRAWINGS FOR -
TPN DB: IPN - 42 (Double Door)

WAY	A	B	C	D	E
04	285	210	295	72	72
04	357	282	367	72	144
06	393	318	403	108	144
08	429	354	439	144	144
12	573	498	583	216	144



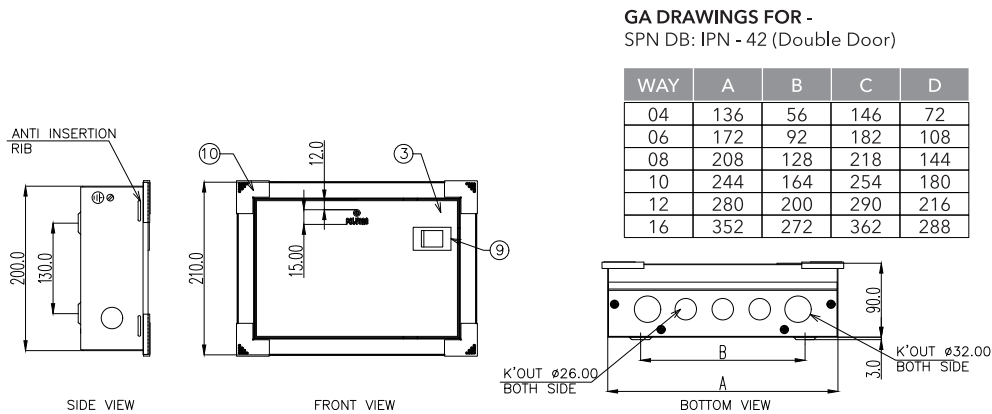
GA DRAWINGS FOR -
TPN DB: IPN - 30 (Single Door)

WAY	A	B	C	D	E
04	285	210	295	72	72
04	357	282	367	72	144
06	393	318	403	108	144
08	429	354	439	144	144
12	573	498	583	216	144



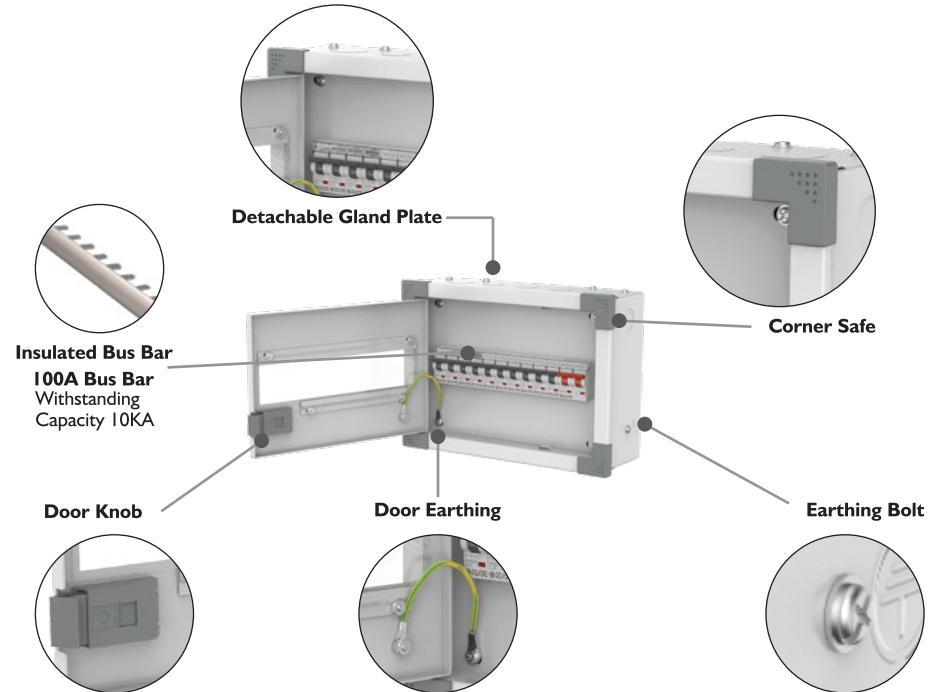
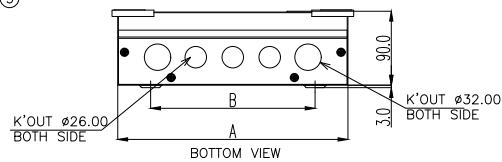
DB FEATURES

Conform IS 13032 / 8623
Adequate Knockout for wiring
Flush & Surface Mounting



GA DRAWINGS FOR -
SPN DB: IPN - 42 (Double Door)

WAY	A	B	C	D
04	136	56	146	72
06	172	92	182	108
08	208	128	218	144
10	244	164	254	180
12	280	200	290	216
16	352	272	362	288





Polyshield CLIQ



DECOUR DISTRIBUTION BOARDS



Safety And Comfort, Now Just A Cliq Away

Polycab provides the most attractive design when it comes to Distribution Boards. Polycab Cliq Distribution Boards meet all the requirements of modern installation for domestic, commercial or industrial applications. Fabricated with utmost precision and passion The enclosures in Polycab Cliq Distribution Boards are forged from the finest quality steel which gives it a strong build and a flawless finish. The distribution boards are supplied with duly fitted Din Channel, Neutral Link, Earth Bar and Bus Bar along with detachable gland plates. So that the MCBs of desired number and rating can be fitted conveniently at site. Overall Polycab Cliq Distribution boards are a complete package that makes your wall looks classy and premium.



Polycarbonate Transparent Cover

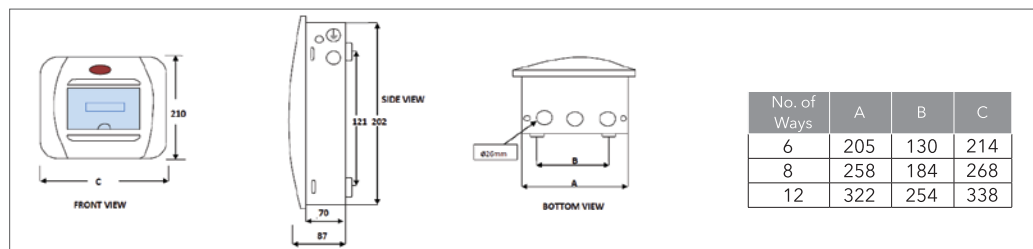
IP 42 Protection

Incoming Power Source Indication

Pressing to Open Lock

Polyshield CLIQ
SPN Consumer Distribution Board

No. of Ways	NOS OF MCB	CODE	MRP / Unit ₹
6W	I/C +O/G : 6	GPDSN50007	1,470/-
8W	I/C +O/G : 8	GPDSN50008	1,690/-
12W	I/C +O/G : 12	GPDSN50009	2,030/-



Note: Packing (Primary / Master): 1 / 6

Polycab Designer Distribution Boards are used for the supply and control of electric installations.

More analytically they are used for

- Separating the installation in various circuits in proportion of the installed load.
- Better protection of circuits.
- Maintenance purpose, so that the rest of the circuits are not effected.
- Each circuit can be individually isolated to have uninterrupted performance under fault condition.



SPN DISTRIBUTION BOARD, DECOUR
(In accordance with IS 13032, IS 8632, IS 8623, IED / BSEN 61439-3)
RAL - 9003 grey white, IP 43 - Double Door DB



SPN Decour Distribution Board
(Suitable for DP Incoming and SP Outgoing)

No. of Ways	Item Code Double Door	MRP/ Unit ₹
4W	GPDSN29W11	1,678/-
6W	GPDSN29W12	2,014/-
8W	GPDSN29W13	2,181/-
12W	GPDSN29W14	2,710/-
16W	GPDSN29W15	3,298/-



DECOUR DISTRIBUTION BOARDS

DECOUR DISTRIBUTION BOARDS



TPN DISTRIBUTION BOARD, DECOUR
(In accordance with IS 13032, IS 8632, IS 8623, IED / BSEN 61439-3)
RAL - 9003 grey white, IP 43 - Double Door DB



TPN Decour Distribution Board (Suitable for FP Incoming and SP Outgoing)			
No. of Ways	I/C + O/G Ways	Item Code Double Door	MRP/ Unit ₹
4W	8 + 12	GPDTN29W41	4,041/-
6W	8 + 18	GPDTN29W42	5,051/-
8W	8 + 24	GPDTN29W43	6,072/-
12W	8 + 36	GPDTN29W44	8,915/-

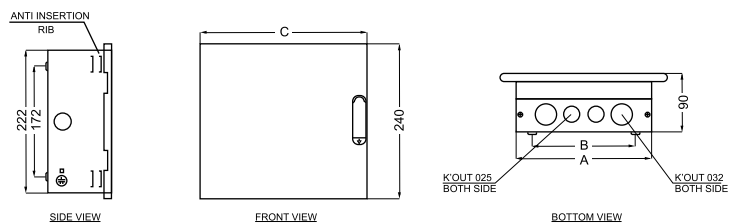
Design To Match Your Decour

Polycarb Decour T Box is a new age distribution board driven with innovation and technology. Its unique design ensures a smooth supply of power flow and distribution in homes, Offices and industries. Polycarb Decour T Box distribution board comes with a transparent cover and elegant look. It also has a raised neutral bar that ensures flexibility and safety enabling safe and efficient distribution of electricity. These boards come with Top & Bottom Detachable Gland Plate with Specially designed plastic knockout which is easy to install and perfectly fits and matches interiors of your home and office spaces.



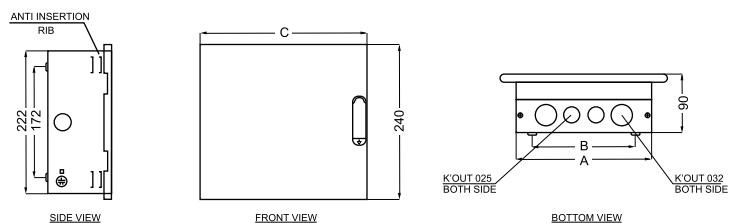
Note: Packing (Primary / Master): SPN (4 Way / 6 Way / 8 Way) - 1 / 6, SPN (12 Way / 16 Way) - 1 / 4.

GA DRAWINGS FOR - SPN DECOUR DB: IPN - 43 (Double Door)



WAY	A	B	C	D
04	175	125	223	72
06	210	160	258	108
08	247	197	296	144
12	317	267	365	216
16	391	341	439	288

GA DRAWINGS FOR - TPN DECOUR DB: IP-43 (Double Door)

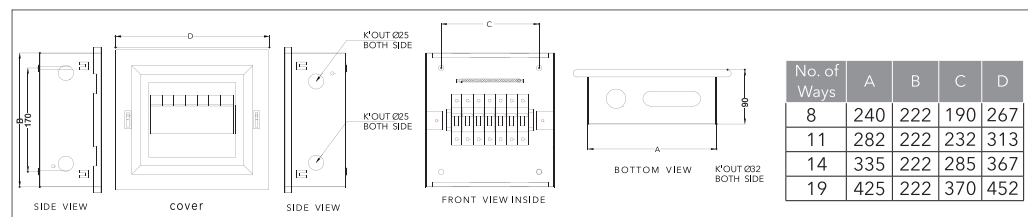


WAY	A	B	C	D
04	315	245	360	72
06	350	280	393	108
08	400	340	442	144
12	560	490	602	216

- Safe**
- Fresh look**
- Flexible**
- Easy to use**

Decour T Box Transparent SPN Double Door DB

No. of Ways	NOS OF MCB	CODE	MRP / Unit ₹
8W	I/C+OG : 8	GPDSN29T13	2,290/-
11W	I/C+OG : 11	GPDSN29T16	2,830/-
14W	I/C+OG : 14	GPDSN29T17	3,520/-
19W	I/C+OG : 19	GPDSN29T18	4,100/-



No. of Ways	A	B	C	D
8	240	222	190	267
11	282	222	232	313
14	335	222	285	367
19	425	222	370	452

Note: Packing (Primary / Master): 1 / 6



WARRANTY POLICY

MCBs	36 Months
RCCBs & RCBOs	12 Months
ACCL	12 Months
DBs	12 Months
MCB COS	24 Months

Polycab's Products carry a warranty against manufacturing defects, subject to use of the Product for the right application with correct wiring / connection and normal operating conditions.

- Cables & Wires • Lighting & Luminaires • Switches & Switchgears
- Fans & Appliances • uPVC Conduits & Fittings • Solar



Email: customercare@polycab.com

Toll Free No For Service :
1800 267 0008

- Working Days: Monday to Saturday • Timings: 9:00 AM to 6:00 PM

REGIONAL OFFICES

EAST

KOLKATA : Unit No. 1108, 11th Floor, Godrej Genesis, Plot-XI, Block EP & GP Salt Lake, Sector - V, Kolkata - 700091.

WEST

MUMBAI : Polycab House, 771, Mogul Lane, Mahim (W), Mumbai - 400016, Maharashtra.
Tel. +91 22 2432 7070/4, 6735 1400

NORTH

NOIDA : B9, 1st Floor, Sector - 3, Near Bajaj Bhawan, Noida - 201301. Tel. 01204848550

SOUTH

BENGALURU : B-78, No. 18, 4th Main Road, KSSIDC Industrial Estate, 6th Block. Rajajinagar, Bangalore - 560010.
Tel. 080 23102172 / 8354

Terms and Conditions:

The prices are inclusive of all Government levies. • Goods are despatched by us on purchaser's risk. • All claims for loss, damage or shortage will be filed by the purchaser directly with carriers. • Disputes, if any are subject to Mumbai jurisdiction only. • Price are subject to change without notice. • MRP mentioned is for per unit & in Indian Rupees • Due to continuous technology upgrades the design & specifications may vary without notice.